

SIRCOVER

125 to 3150 A



Functions

SIRCOVER are manually operated multi-polar changeover. They changeover between two low voltage power circuits under load and provide safety isolation.

Compliance with standards

- IEC 60947-3
- NF EN 60947-3
- VDE 0660 Teil 107 (1992)
- NBN EN 60947-3
- BS EN 60947-3

Certification and approvals⁽¹⁾

- Bureau Veritas
- BBJ (Poland)

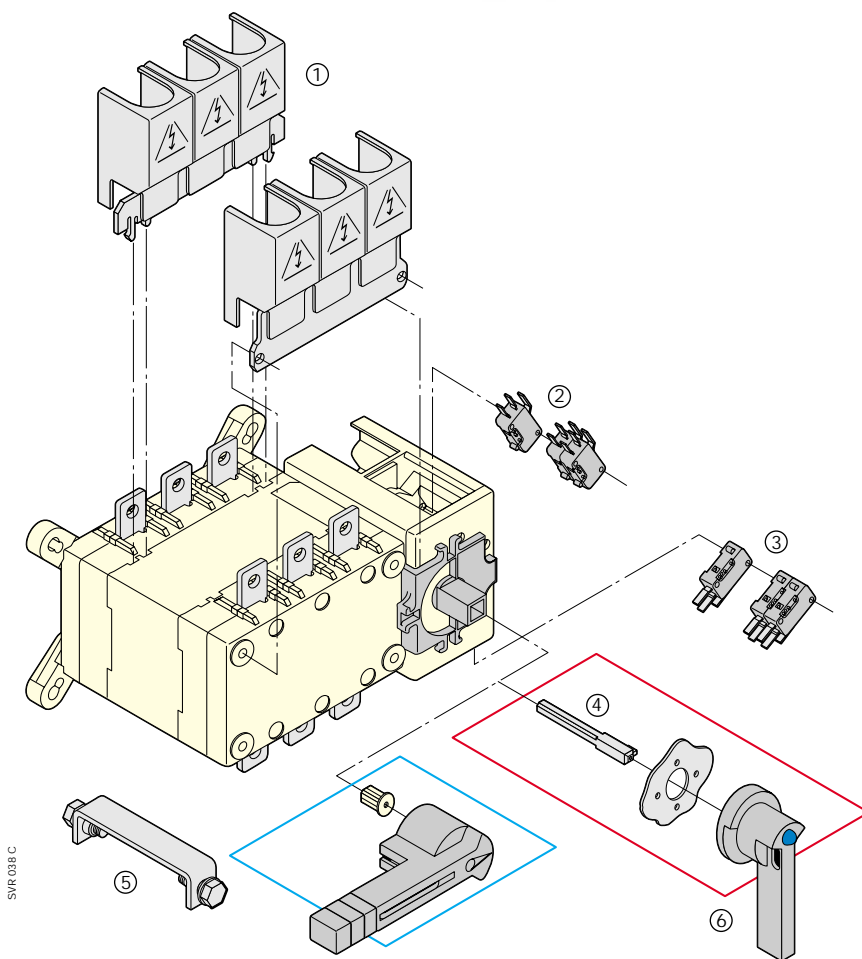
(1) In progress for certain ratings.

General characteristics

- 3 stable positions (I, O, II) or on request overlapping contacts (I, I+II, II) and possible switching from one to the other on load (AC-22 and AC-23)
- Fully visible breaking

Manufactured or available on request

- Devices overlapping contacts (I, I+II, II)
- Devices with higher rated neutral pole e.g. 3 x 250 A + N 400 A



1. IP20 terminal shrouds
 2. IP20 Auxiliary contacts
 3. IP20 Auxiliary contacts
 4. Shaft extension
 5. Bridging bars
 6. Door interlocked handle
- Direct front operation
■ External front operation