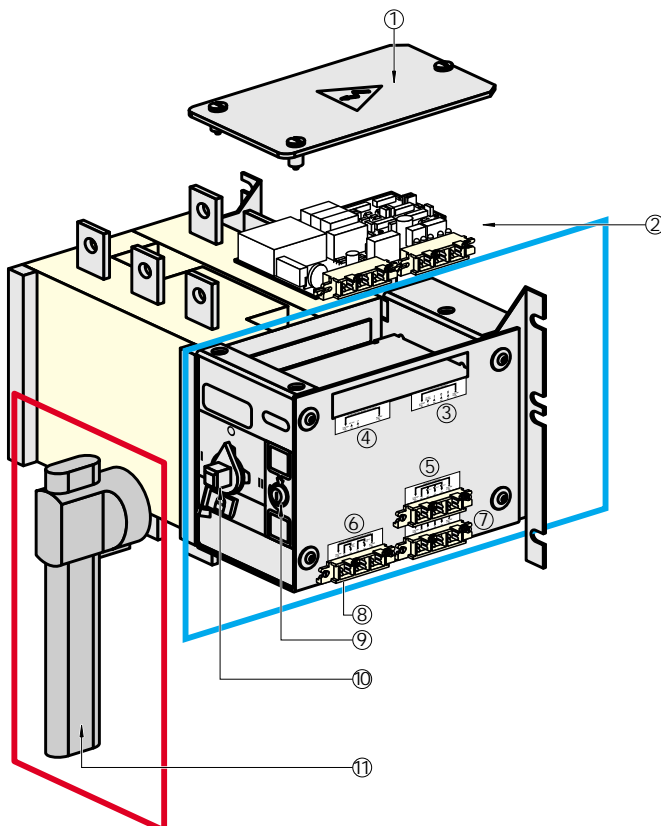


Motorised SIRCOVER VE

250 to 3150 A



SVRMO 073 A



SVRMO 006 C

Functions

Motorised SIRCOVER VE are motorised tri- or tetrapolar switches.

They are a combination of two back to back, interlocked, remote-operated disconnecting switches.

They switch, reverse or toggle between two low voltage power circuits on load and provide safety isolation.

Compliance with standards

- ICE 60947-3
- NF EN 60947-3
- VDE 0660 Teil 107 (1992)
- NBN EN 60947-3
- BS EN 60947-3

General characteristics

- 3 stable positions (I, O, II) or on request overlapping contacts (I, I+II, II) and possible automatic switching from one to the other on load (AC-22 and AC-23)
- Fully visible breaking or isolation
- Manual emergency operation
- Locking in 3 positions
- Easy to install and time saved in use: space saving, connection by removable connectors, broad connection ranges which can hold bridging bars.

Manufactured or available on request

- Devices with visible breaking on position I
- Devices overlapping contact I, I+II up to 1600 A
- Kit for rapid replacement (MTTR)
- 6/8 pole devices
- Devices of different ratings between positions I and II for strong current
- Special remote-control voltage.

1. Pcb cover
 2. Control card
 3. Control connector
 4. Power supply connector
 5. Position connector
 6. Connector 2 AC precutoff (option)
 7. Precutoff connector
 8. Auto/manual lockable connector
 9. Auto/manual key switch
 10. Backup manual control pin
 11. Backup manual control handle
- Motorized control
■ Backup manual control