

# FUJI BC Series MCB

Miniature Circuit Breakers



# New MCB “BC series” for General Consumer Use!

\* MCB = Miniature Circuit Breaker



KKD05-293



KKD05-294



KKD05-295

## Features

- 10kA short circuit breaking capacity.
- In accordance with IEC60947
- Ratings : 1,2 and 3 poles 1-63A
- Type C tripping characteristics (general use)
- IEC 35mm rail mounted, modular devices, 1 module (18mm/pole)
- Accessories = Snap-on fittings speed up mounting.

9mm external device  
Left-side mounting

18mm external device  
Left-side mounting

MCB



KKD05-222



KKD05-223



KKD05-221



KKD05-297

W

K

F+W

# Quick reference guide

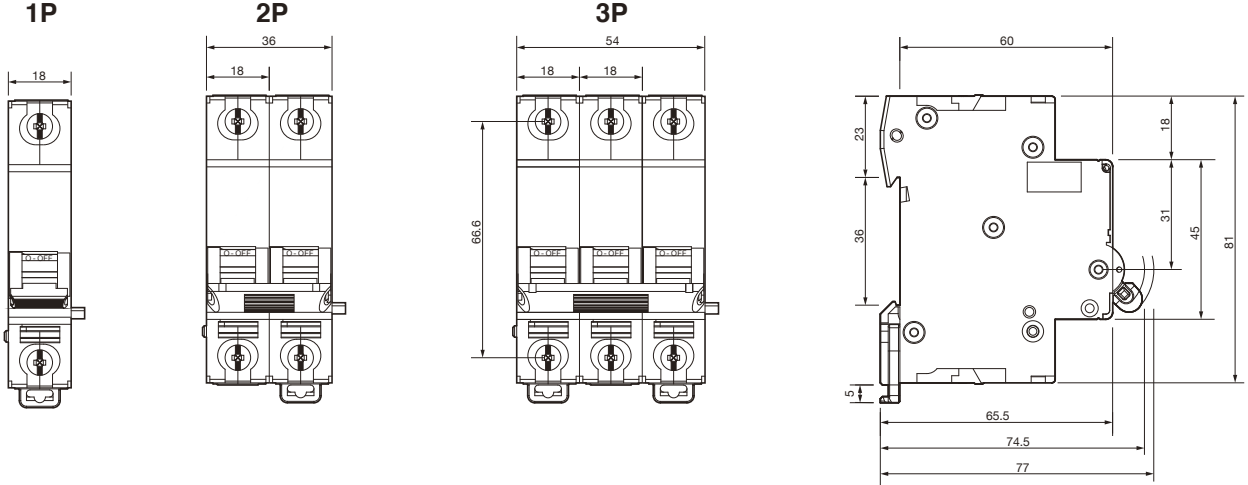
Frame	63A			
Pole	1	2	3	
Type	In = 1A	BC61E0C-001	BC62E0C-001	BC63E0C-001
	2A	BC61E0C-002	BC62E0C-002	BC63E0C-002
	3A	BC61E0C-003	BC62E0C-003	BC63E0C-003
	4A	BC61E0C-004	BC62E0C-004	BC63E0C-004
	6A	BC61E0C-006	BC62E0C-006	BC63E0C-006
	10A	BC61E0C-010	BC62E0C-010	BC63E0C-010
	16A	BC61E0C-016	BC62E0C-016	BC63E0C-016
	20A	BC61E0C-020	BC62E0C-020	BC63E0C-020
	25A	BC61E0C-025	BC62E0C-025	BC63E0C-025
	32A	BC61E0C-032	BC62E0C-032	BC63E0C-032
	40A	BC61E0C-040	BC62E0C-040	BC63E0C-040
	50A	-	BC62E0C-050	BC63E0C-050
	63A	-	BC62E0C-063	BC63E0C-063
Impulse withstand voltage (Uimp) (kV)	6			
Rated insulation voltage (Ui) (V)	500			
Ultimate short-circuit capacity (Icu) (kA) [IEC60947-2]	440VAC	-	6	6
	415VAC	3 * 1	10	10
	240VAC	10	20	20
	130VAC	20	-	-
Service short-circuit capacity (Ics) (kA)	75% of Icu			
Rated interrupting capacity (DC) (kA) L/R<0.015sec	DC125V	-	20	30
	DC<60V	15	-	-
Electrical durability (O-C)	20000			
Dimensions (mm)	a	18	36	54
	b	81		
	c	44		
	d	70		
Mass (kg)	0.11	0.22	0.34	



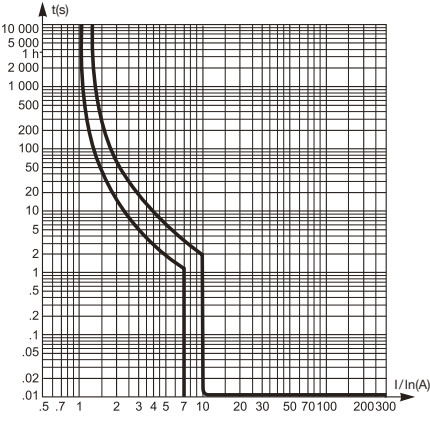
KKD05-296

\*1 Breaking capacity under 1 pole with IT isolated neutral system (case of double fault)

## Dimensions, mm



## Characteristic curve



## Rated current correction value [A]

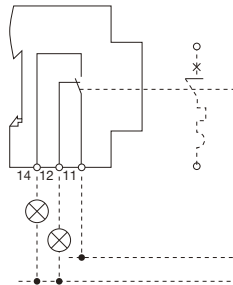
Cal.	-10°C	-5°C	0°C	10°C	20°C	30°C	40°C	50°C
1A	1.23	1.20	1.18	1.14	1.10	1.05	1	0.96
2A	2.45	2.41	2.37	2.28	2.19	2.11	2	1.91
3A	3.89	3.79	3.73	3.56	3.40	3.20	3	2.80
4A	5.09	5.00	4.87	4.65	4.48	4.22	4	3.74
6A	7.42	7.29	7.16	6.90	6.58	6.32	6	5.61
10A	12.97	12.75	12.42	11.87	11.32	10.66	10	9.34
16A	19.96	19.61	19.10	18.41	17.55	16.86	16	14.97
20A	24.73	24.30	23.87	23.01	21.94	21.08	20	18.71
25A	31.18	30.65	29.84	28.76	27.42	26.34	25	23.39
32A	39.57	38.88	38.19	36.82	35.10	33.72	32	30.28
40A	49.46	48.60	47.74	46.02	43.87	42.15	40	37.85
50A	61.83	60.75	59.68	57.53	54.84	52.69	50	47.31
63A	81.69	79.62	78.23	74.77	71.31	67.15	63	58.85

## Optional accessories

<b>W</b>	(Auxiliary switch) (NO-NC)	Type number
		BC9W1SA0



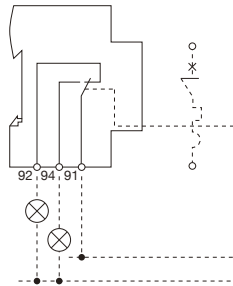
KKD05-222



<b>K</b>	(Alarm switch)	Type number
		BC9K1SA0



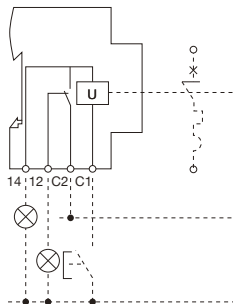
KKD05-223



<b>F+W</b>	(Shunt trip devices + W)	Rated voltage	Type number
		110-415VAC	BC9FKA0
		110-130VDC	
		48-130VAC	BC9FAA0
		48VDC	
		24V AC/DC	BC9FRA0



KKD05-221



## Auxiliary switch and alarm switch

- Auxiliary switch (Type W)  
This switch is used for indicator lamp or control circuit.
- Alarm switch (Type K)  
This switch can be connected to a warning lamp or buzzer to indicate when the breaker has been tripped.

Make/break current (IEC60947-5-1) (pf/=0.6)

Voltage	Class	Current (A)
380/415VAC	AC12	3
220/240VAC	AC12	6
130VDC	DC12	1
48VDC	DC12	2
24VDC	DC12	6

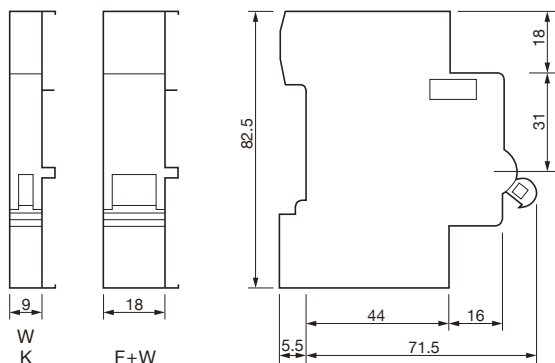
## Shunt trip device (Type F)

- The purpose of this accessory is to trip the breaker. "F" is attached in one piece of auxiliary switch.

Power consumption (IEC60947-2)

Voltage	Power consumption (W/VA)
415VAC	625
220-240VAC	184
110VAC	44
110-130VDC	45
48VAC/DC	48
24VAC/DC	185

## Dimensions, mm



### Fuji Electric FA Components & Systems Co., Ltd.

5-7, Nihonbashi Odemma-cho, Chuo-ku, Tokyo 103-0011, Japan  
 Phone: +81-3-5847-8041 Fax: +81-3-5847-8171  
 URL <http://www.fujielectric.co.jp/fcs/eng/>

### Fuji Electric FA Taiwan Co., Ltd.

12F, No.70, Cheng TehN. Rd., Taipei, Taiwan  
 Phone: +886-2-2556-0716 Fax: +886-2-2556-0717  
 URL <http://www.fujielectric.com.tw/>